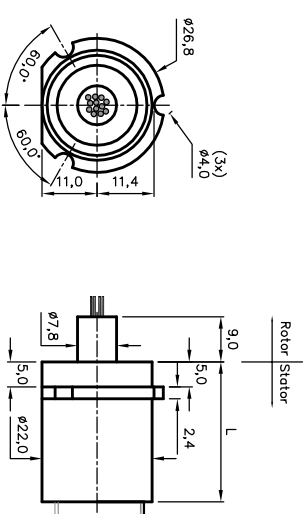


MODEL	L(mm)
SRC022A-6	19
SRC022A-12	28
SRC022A-18	33.4
SRC022A-24	41.2

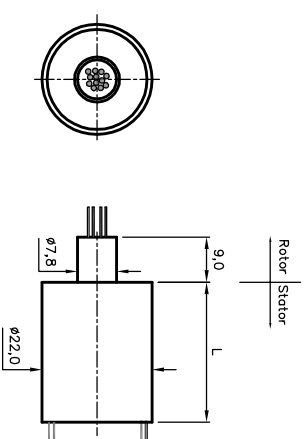
A

MODEL	L(mm)
SRC022B-6	19
SRC022B-12	28
SRC022B-18	33.4
SRC022B-24	41.2



B

MODEL	L(mm)
SRC022C-6	19
SRC022C-12	28
SRC022C-18	33.4
SRC022C-24	41.2



C